

SR1830

Packaged Simplex
Sewage System



Package includes the following:

- SRM4PC-1 4/10 HP sewage pump.
- 18" x 30" structural foam sewage basin.
- 18" solid structural foam cover with 2" discharge flange, vent flange suitable for 2" or 3" vent, or split steel with 2" or 3" vent.
- 2" full-swing check valve.
- 4" inlet hub.
- PVC discharge pipe TOE

**All components shipped packed inside basin.
Package is not assembled.**

PUMP CAPABILITIES

Capacities To	95 GPM	360 LPM
Heads To	19 ft.	5.8 m
Pump Down Range*	7-14 in.	178-356 mm
Solids Handling	2 in.	50.8 mm
Liquids Handling	septic effluent, sewage	
Intermittent Liquid Temp.	up to 140°F	up to 60°C
Motor	4/10 hp shaded pole	
Electrical	115 volts, 12.0 amps, 1 ph, 60 Hz 230 volts, 6.0 amps, 1 ph, 60 Hz	
Acceptable pH Range	6 - 9	
Discharge, NPT	2 in.	50.8 mm

* Automatic model only

Construction Materials

Motor Housing	cast iron, Class 30, ASTM A48
Volute Case	cast iron, Class 30, ASTM A48
Impeller	recessed, thermoplastic
Power Cord	20 ft. 16/3 SJTW/SJTW-A
Mechanical Seal	carbon and ceramic

Available in **IAPMO** approved models.

WHERE INNOVATION MEETS TRADITION

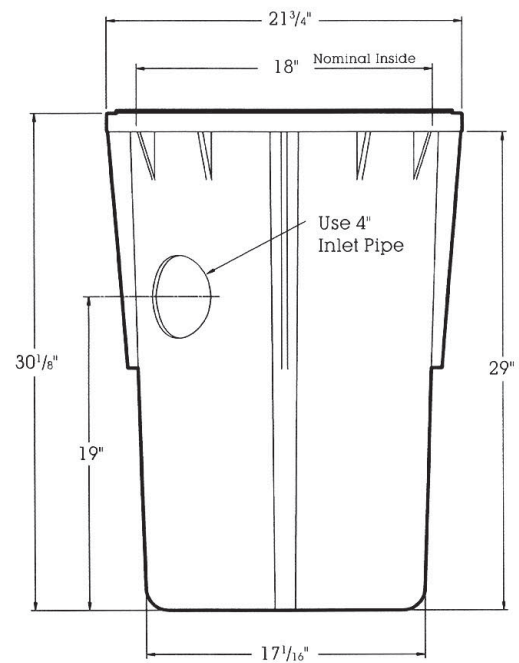
Myers[®]

Pentair Pump Group

SR1830

Packaged Simplex
Sewage System

DIMENSIONS



MECHANICAL FLOAT SWITCH

Mercury-free, 90° angle operation.

4/10 HP MOTOR

Pressed in place and Oil-filled for best alignment and heat transfer. Built-in overload protection.

POWER CORD

Quick-disconnect watertight fitting.

MOTOR HOUSING

Heavy cast iron for efficient heat transfer.

CAST IRON VOLUTE

Passes 2" diameter solids.

DUAL THRUST WASHERS, SLEEVE BEARINGS

Oil lubricated, enhance smooth operation and extend pump life.

MECHANICAL SHAFT SEAL

Carbon and ceramic faces, body is stationary, prevents string or trash from winding on seal.

RECESSED IMPELLER

Operates out of volute passage, allowing maximum flow of liquids and solids.

PERFORMANCE CURVE

