

SSM33I

Cast Iron Submersible Sump
and Effluent Pump



THE MYERS SSM33I IS A RUGGED, HEAVY DUTY CAST IRON 1/3 HP SUBMERSIBLE PUMP DESIGNED FOR DEMANDING DRAINAGE JOBS. The SSM33I's recessed, vortex impeller provides a clear, unobstructed passage in the volute case for superior solids handling. Its 1/2" solids handling capability allows it to be used in a wide variety of drainage and effluent pumping applications. Heavy duty cast iron construction ensures that the SSM33I will perform for years to come in most installations. Contact your Myers distributor, or the Myers Ohio sales office at 419/289-1144 for more details.

ADVANTAGES BY DESIGN

DURABLE MOTOR WILL DELIVER MANY YEARS OF RELIABLE SERVICE.

- Oil-filled motor for maximum heat dissipation and continuous bearing lubrication.
- Shaded pole motor eliminates starting switches.
- Recessed vortex impeller provides free flow-through passage for solids and liquid with minimal radial loading for long bearing life.

THE SSM33I IS ENGINEERED FOR MANY YEARS OF MAINTENANCE-FREE OPERATION.

- Automatic models available with piggy-back float or vertical switch. (Both mercury free)
- Pump can be operated manually by unplugging piggy-back switch and plugging pump directly into outlet (Automatic models).
- Heavy cast iron motor housing and volute case dissipate heat, allow motor to run cooler for extended life and resist corrosion.

PRODUCT CAPABILITIES

Capacities To	31 gpm	117 lpm
Heads To	23 ft.	7 m
Pump Down Range		
Float Switch	7 to 10 in.	178 to 254 mm
Vertical Switch	4-1/8"	107 mm
Solids Handling Capacity	1/2 in.	12.8 mm
Liquids Handling	fresh drain water, effluent	
Intermittent Liquid Temp.	up to 140°F	up to 60°C
Motor	1/3 HP shaded pole 1550 RPM	
Electrical	115V, 9.0 amps 1Ø, 60 Hz.	
Acceptable pH Range	5 - 9	
Discharge, NPT	1-1/2 in.	38.1 mm
Minimum Sump Diameter	12 in.	305 mm
ETL Listing	Class 1, Div. 2 Group D Class 2, Div. 2 Group F, G Class 3, Div. 1, 2	

Construction Materials	
Motor Housing, Volute Case	cast iron, Class 30, ASTM A48
Pump Base	cast iron, Class 30, ASTM A48
Impeller	recessed, thermoplastic
Power Cord	10 or 20 ft., 16/3 SJTW/SJTW-A
Mechanical Seal	carbon and ceramic

WHERE INNOVATION MEETS TRADITION

Myers[®]

Pentair Water

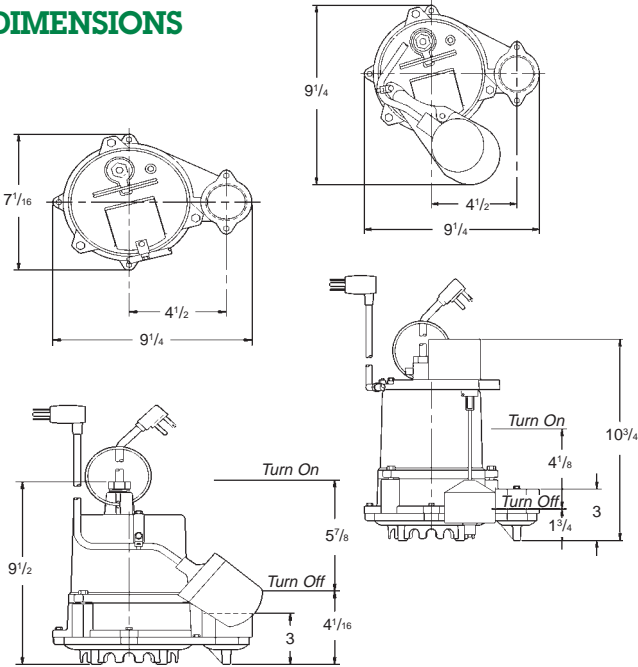
SSM331

Cast Iron Submersible Sump and Effluent Pump

MECHANICAL FLOAT SWITCH
Mercury-free, 90° angle operation.

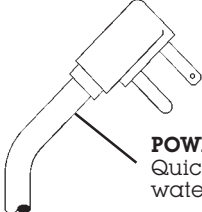
VERTICAL SWITCH
Mercury-free. Allows operation in small diameter sumps.

DIMENSIONS



1/3 HP MOTOR
1550 RPM, 60 Hz, 115V, 1Ø. Shaded pole design eliminates starting switch or relay mechanism. Pressed in place and oil-filled for best alignment and heat transfer.

OVERLOAD SWITCH
Built-in to protect against over current and over temperature conditions.

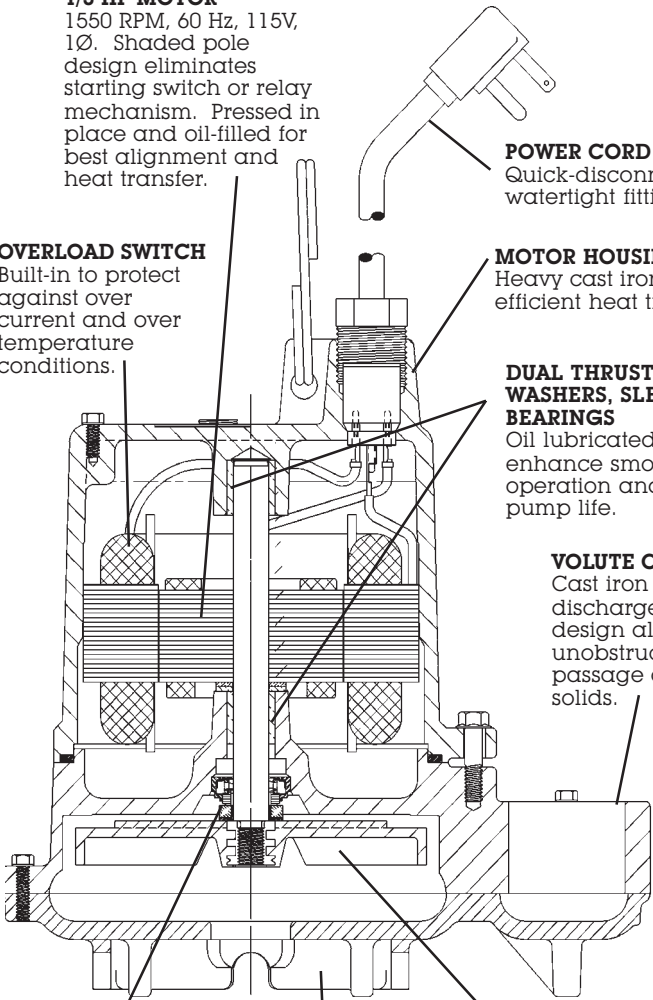


POWER CORD
Quick-disconnect, watertight fitting.

MOTOR HOUSING
Heavy cast iron for efficient heat transfer.

DUAL THRUST WASHERS, SLEEVE BEARINGS
Oil lubricated; enhance smooth operation and extend pump life.

VOLUTE CASE
Cast iron 1-1/2" discharge. Open design allows unobstructed passage of 1/2" solids.

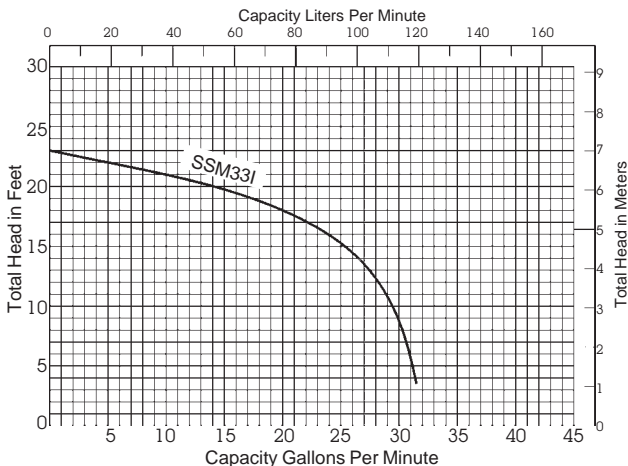


MECHANICAL SHAFT SEAL
Carbon and ceramic faces. Body is stationary; prevents string or trash from winding on seal.

RECESSED IMPELLER
Operates out of volute passage, allowing maximum flow of liquids and solids up to 1/2 inch diameter.

CAST IRON BASE
Heavy duty construction provides long life

PERFORMANCE CURVE



PERFORMANCE TABLE

Total Head	Ft.	2	4	6	8	10	12	14	16	18	20	22
	M		0.61	1.22	1.83	2.44	3.05	3.66	4.27	4.88	5.49	6.1
Gal/Hr.		1860	1830	1810	1780	1740	1650	1560	1410	1200	720	240
L/Hr.		7040	6927	6851	6737	6586	6245	5905	5337	4542	2725	908